

ARGONICS PUBLICWORKS P R O D U C T S

MUNICIPAL WATERWORKS POLYURETHANE PRODUCTS

Our waterworks products are made with Kryptane® polyurethane, which is regarded by the mining, concrete and agricultural industries as the most wear-resistant polyurethane available. All Argonics products are proudly made in the USA.



SPEEDY SLEEVE POLY CURB BOX SYSTEM

SPEEDY SLEEVE POLYURETHANE REPAIR SLEEVE

- ◆ Tap-on repair sleeve allows for quick repair and easy access
- ◆ Embedded magnet assures locating with ease when buried
- ◆ Snap plug cap system with notches for easy removal with a flat-head screwdriver
- ◆ Patent-pending polyurethane sleeve slides tightly onto pipe and seals out debris
- ◆ Easy tracer wire attachment

Speedy Sleeve
Polyurethane
Repair Sleeve



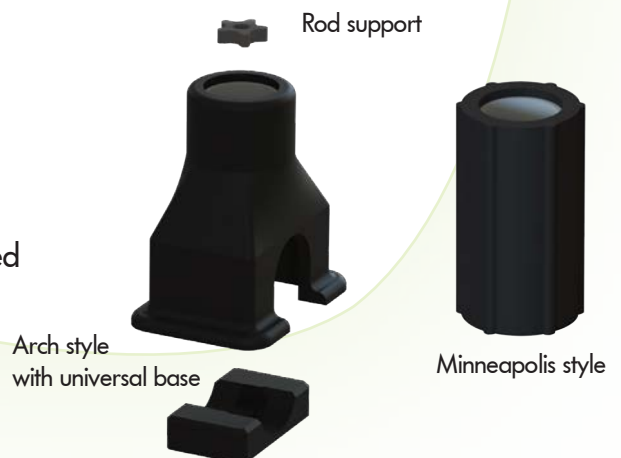
PVC EXTENSION PIPE

- ◆ Will not corrode like cast iron boxes
- ◆ Less expensive to buy, install and repair than cast iron
- ◆ Readily available at home improvement and hardware stores
- ◆ Won't interfere with the valve
- ◆ Repairs can be easily made by cutting the pipe, installing a coupling and attaching a new piece of PVC

Customer-supplied
Schedule 80 PVC pipe

POLYURETHANE CURB BOX

- ◆ Available in Arch or Minneapolis styles
- ◆ Corrosion resistant
- ◆ Rod support keeps rod centered
- ◆ Protects against impact damage to the valve
- ◆ Easy tracer wire attachment
- ◆ Uses 1½" Schedule 80 PVC, but can be retrofitted with an adaptor to use smaller diameter PVC



Arch style
with universal base

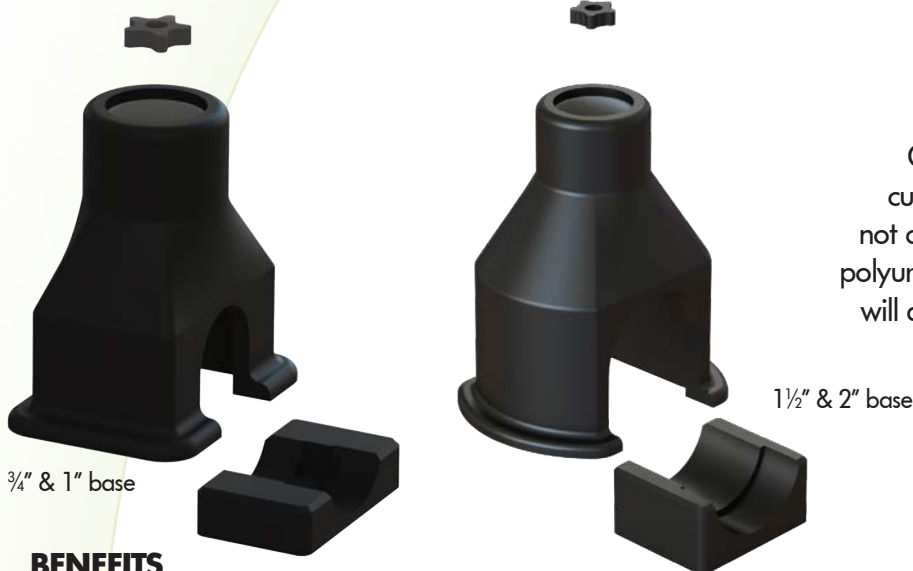
Minneapolis style

ARCH & MINNEAPOLIS STYLE POLY CURB BOX OPTIONS

ARCH STYLE

Poly Curb Box

Our corrosion-resistant Arch style curb box covers the valve but does not connect mechanically. The flexible polyurethane will protect the valve and will absorb any pressure from above.



BENEFITS

- ◆ Universal base inhibits pipe from twisting and moving
- ◆ Designed to fit the most common types of valves (Mueller, A.Y. McDonald, Ford or Redhead)
- ◆ Keeps valve centered during installation
- ◆ Conforms better to the valve
- ◆ Available sizes: 3/4", 1", 1 1/2" and 2" valves



MINNEAPOLIS STYLE

Poly Curb Box

Our Minneapolis style curb box has a PVC threaded insert that protects the valve from corroding and ensures alignment of the valve and the box.



BENEFITS

- ◆ Corrosion-resistant threads
- ◆ Protects against impact damage to the valve
- ◆ No wrench needed to install – can be tightened by hand
- ◆ Available in 1 1/2" and 2" thread



SPEEDY SLEEVE

Curb Valve Box Repair Sleeve

Argonics' Speedy Sleeves are specifically engineered for ease of installation, access and maintenance. Our polyurethane will not corrode, remains pliable and is not susceptible to damage due to impact. The patent-pending design provides an easy solution for accessing the shut-off rod; no more breaking lids or tapping pipes!



BENEFITS

- ◆ Tap-on repair sleeve allows for quick repair and easy access
- ◆ Embedded magnet assures locating with ease when buried
- ◆ Snap-in cap removes easily with a flathead screwdriver
- ◆ Polyurethane sleeve slides tightly onto pipe and seals out debris

VALVE BOX COVER

Argonics' polyurethane valve box covers last longer than steel and provide a tight seal for the perfect fit. They keep out most contaminants, prevent valve box wear and reduce rattling noise 100%. They are tight enough so they won't pop or roll out, yet pliable enough so they don't need to be steamed to be removed during winter weather.



BENEFITS

- ◆ Works in partially broken boxes
- ◆ Tremendous noise reduction
- ◆ Will not freeze, unlike its cast iron counterparts
- ◆ Fits most standard cast iron valve boxes
- ◆ Easily removed with pry bar or flat screw driver

2.5" BUFFALO STYLE CURB BOX SYSTEM

The Argonics Buffalo Style Poly Curb Box System is the same innovative Speedy Sleeve in a larger diameter to allow for quick maintenance when vacuuming or suctioning out the box. The universal system is manufactured using corrosion-resistant polyurethane and durable PVC pipe that can be easily adjusted.



BUFFALO SPEEDY SLEEVE POLYURETHANE REPAIR SLEEVE

- ◆ Tap-on repair sleeve allows for quick repair and easy access
- ◆ Embedded magnet assures locating with ease when buried
- ◆ Snap plug cap system with notches for easy removal with a flat-head screwdriver
- ◆ Polyurethane sleeve slides tightly onto pipe and seals out debris
- ◆ Easy tracer wire attachment



BUFFALO STYLE POLYURETHANE CURB BOX

- ◆ 2.5" Arch style fits over ¾" and 1" valve
- ◆ Corrosion resistant
- ◆ Rod centering design
- ◆ Protects against impact damage to the valve
- ◆ Easy tracer wire attachment
- ◆ Uses 2½" Schedule 40 PVC

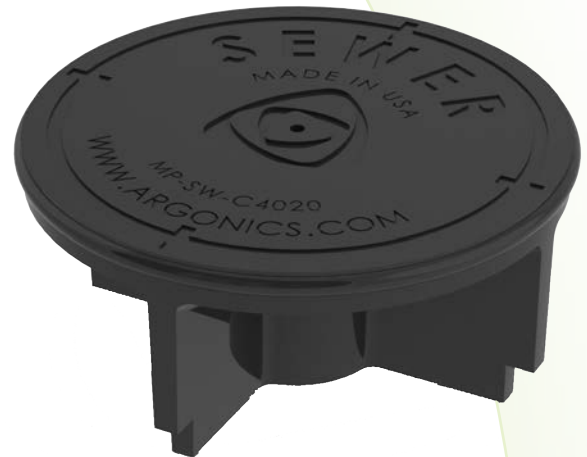
MUNICIPAL WATERWORKS

POLYURETHANE PRODUCTS

SEWER SEAL

Cleanout Access Cover

Argonics polyurethane Sewer Seals are designed to easily install and remove from your sewer cleanout access points. These covers are manufactured with a magnet embedded in the middle, making them easy to find when buried.



BENEFITS

- ◆ Magnetic cap assures locating with ease when buried under dirt or snow
- ◆ Flexible polyurethane will not shatter like PVC
- ◆ Corrosion-resistant cap remains pliable, even in the worst winter weather
- ◆ Quick and easy installation and removal

CURB INLET HOOD

The Argonics Curb Inlet Hood has proven to withstand direct hits from plow blades - they do not break or shatter like the cast iron parts they replace. Our Curb Inlet Hoods that were installed in 1997 are still in place and have needed no repair or replacement, unlike the cast iron versions which were replaced annually.



BENEFITS

- ◆ Polyurethane absorbs shock produced by the impact of the plow blade
- ◆ Significantly lighter than cast iron - 22.5 lb. compared to 136 lb.
- ◆ Reduced cracking of adjacent concrete curbs
- ◆ Resistant to oils, greases and gasoline

ARGONICS POLYURETHANES

ARGONICS POLYURETHANE ADVANTAGES:

- 1. PERFORMANCE** – Argonics polyurethanes offer unparalleled abrasion and tear resistance. They have proven themselves over the past two decades to withstand the harshest abrasive environments.
- 2. DIVERSITY** – Argonics has the ability to make individual polyurethane formulations tailored to customer-specific needs. These formulations can be modified to alter tensile strength, compression, rebound, tear strength, color and hardness.
- 3. ADVANTAGES VS. METAL** – Argonics polyurethanes are lightweight, reduce noise, offer better wear resistance, and are corrosion-resistant.
- 4. ADVANTAGES VS. PLASTICS** – Argonics polyurethanes are not brittle like most other plastics. They exhibit an elastomeric memory and provide superior abrasion resistance.
- 5. ADVANTAGES VS. RUBBER** – Argonics polyurethanes have better abrasion and tear resistance than rubber, have a higher load-bearing capability and can be manufactured in a wider range of durometers (hardness).

SUPERIOR POLYURETHANE FROM ARGONICS INC.

Argonics' manufacturing process utilizes a unique quasi-process. This means the chemicals we use are made to order and specifically formulated for us by a world-leading chemical company. When these chemicals are mixed they are in their purest form. Simply put, chemicals that are mixed in a purer state react with one another more completely, creating a superior product. Plus, Argonics is the only manufacturer to identify a unique agent that can increase the reaction rate and force a more complete reaction of the chemicals, increasing the overall abrasion resistance of our material. Argonics' proprietary urethane products consistently have the lowest percentage of unreacted molecules, which is demonstrated by the superior performance of our products in the field.





Argonics' high performance polyurethane materials have proven effective, with easy installation, reduced maintenance costs and reduced downtimes. Argonics products save customers thousands of dollars in lost production and man-hours. Our success is measured by our customers' satisfaction.



ARGONICS
ENGINEERED POLYURETHANE

The Argonics Nested Triangle logo is a trademark, and Argonics is a registered trademark of Argonics, Inc. Gwinn, MI. USA.

All Argonics products are proudly made in the USA.

LIB-AR-PW-CA-01-02


520 9th Street • Gwinn, MI 49841


906.226.9747

fax: 906.226.9779

www.argonics.com

 facebook.com/argonics

 youtube.com/ArgonicsInc

 linkedin.com/company/argonics-inc.